

CO₂ SNOW HORNS.



Models: 3.75



Models: LVSH-3.5



Models: LVSH-7

- Benefits**
- Easily adaptable to most mixing equipment
 - Subcooling in the annular cavity of the 3.75 snow horn creates higher conversion rates from liquid to snow while insulation eliminates condensation
 - The LVSH-7 feed ring with six opposing nozzles dissipate high-velocity energy allowing a gentle, uniform output of snow
 - Precise temperature control when combined with a Linde control panel

Linde's CO₂ snow horns provide a simple, cost-effective method to accurately control temperature conditions in your chilling operations. Designed and built to meet USDA requirements, Linde's snow horns are included in our standard chilling systems and are easily adaptable to most existing chilling operations. Additionally, they can generate snow for controlling temperatures in box or combo cooling applications.

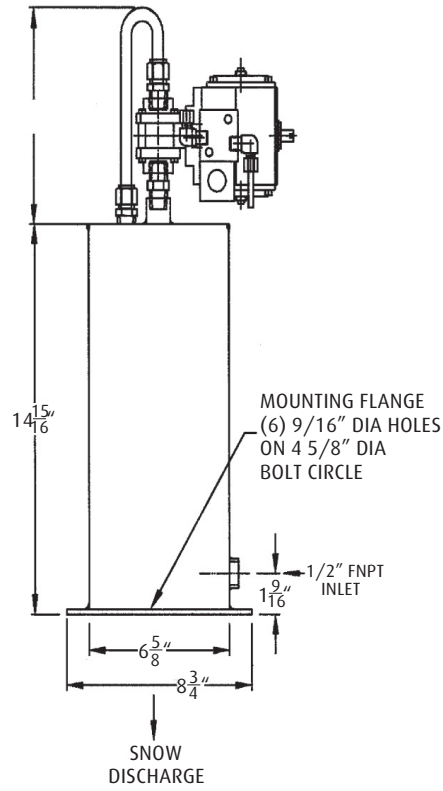
The stainless steel 3.75 model snow horn leads the Linde line. Its annular subcooling chamber design produces unparalleled efficiency in converting liquid CO₂ into fine CO₂ snow. The unique design of the 3.75 model provides a "warm wall" to prevent condensation and snow build-up in the chamber, which affects uniformity of flow.

The LVSH-7 and LVSH-3.5 models deliver snow without costly CO₂ loss due to snow blowout sometimes encountered with conventional snow horns. Made of stainless steel, their compact, patented low velocity design efficiently and uniformly distributes CO₂ snow.

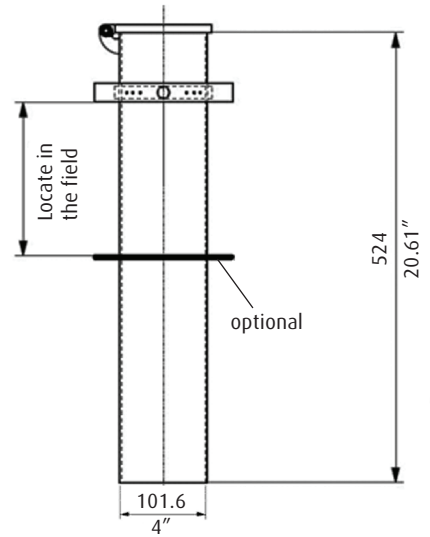
To learn more about Linde's food chilling, freezing, and packaging technology, contact your local Linde representative at the address and phone number listed on the back of this sheet.

Model	3.75	LVSH 3.5	LVSH 7
Flow Rate (lb/min)	15-120	5-30	30-60

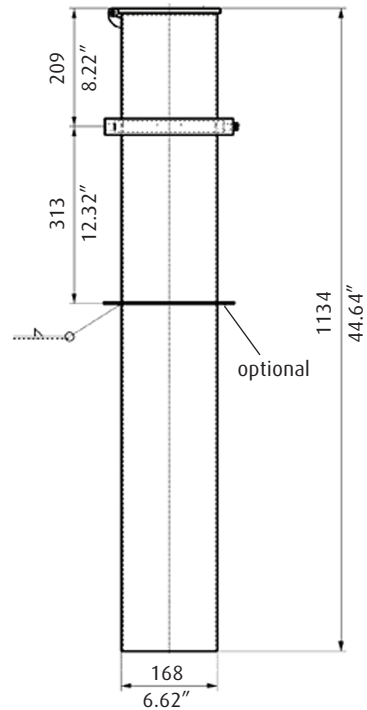
Models: 3.75



Models: LVSH-3.5



Models: LVSH-7



Linde North America, Inc.
 575 Mountain Ave., Murray Hill, NJ 07974 USA
 Phone +1.800.755-9277, sales.lg.us@linde.com www.lindefood.com