

---

## DUAL HORN SNOW GENERATOR.

---



- Benefits**
- Granular snow
  - Snow horn nozzles dissipate high-velocity energy for gentle, consistent, and uniform snow output
  - Built-in plenum to safely exhaust gases
  - Only produces the precise amount of necessary snow
  - Provides the ability to produce dry ice snow upon demand

---

Linde's CO<sub>2</sub> dual horn snow generators provide a simple, cost-effective method to control product temperature in your processing, storage, and handling operations.

---

The Linde CO<sub>2</sub> dual horn snow generator deposits CO<sub>2</sub> snow at a low velocity into open containers and blenders. Designed and built to meet USDA requirements, the dual horn snow generator consists of two patented Model LVSH-7 snow horns and an integral exhaust enclosure.

---

The LVSH-7 snow horns deliver granular snow without costly CO<sub>2</sub> loss due to snow blowout sometimes encountered with conventional snow horns. Their compact design efficiently and uniformly distributes CO<sub>2</sub> snow. A control panel is available which includes a CO<sub>2</sub> timer for accurate snow production and the capability to manually or automatically control the exhaust blower to safely remove CO<sub>2</sub> vapor.

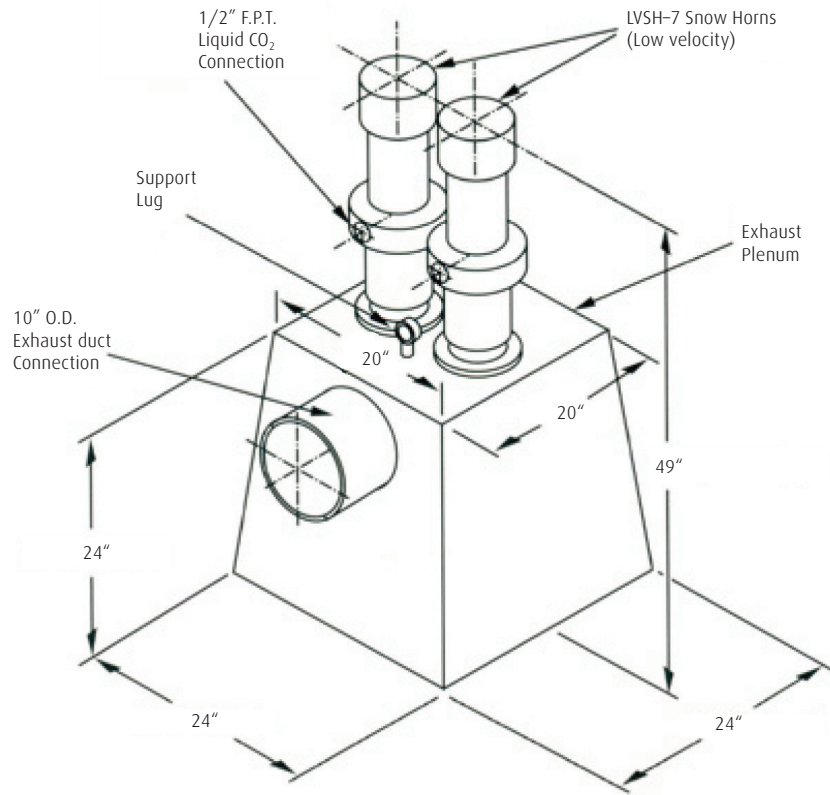
---

The Linde CO<sub>2</sub> dual horn snow generator is the solution whenever chilling of perishables is required.

---

To learn more about Linde's food chilling, freezing, and packaging technology, contact your local Linde representative at the address and phone number listed on the back of this sheet.

---



Specifications

Flow rate in liquid CO <sub>2</sub>	60 lb/min
Snow time range*	0 to 5 sec
Total Height	49"
Plenum Height	24"
Plenum Top	24"
Plenum Bottom	10" diameter
Weight	125 lb

Linde North America, Inc.  
 575 Mountain Ave., Murray Hill, NJ 07974 USA  
 Phone +1.800.755-9277, sales.lg.us@linde.com www.lindefood.com